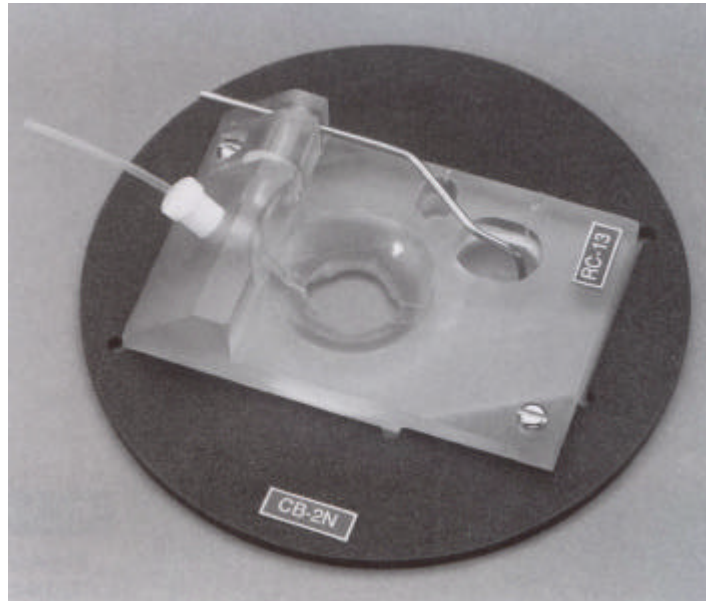
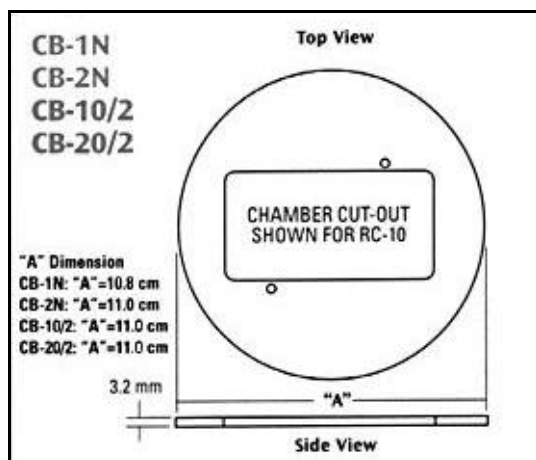
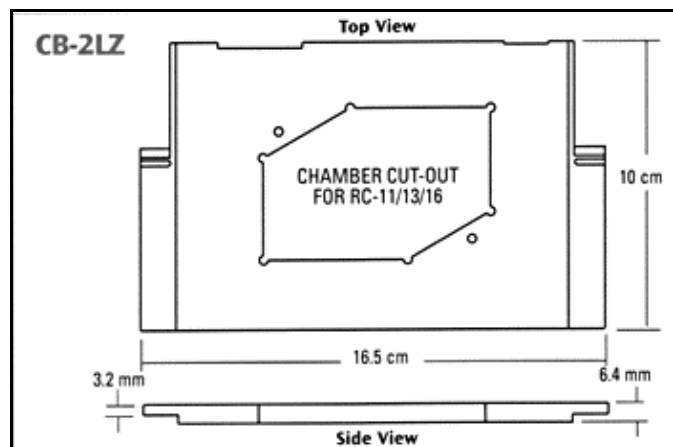
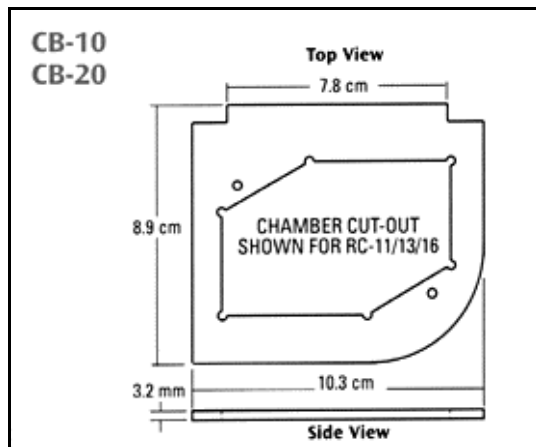


**RC Series** stage adapter bases are made for a variety of microscopes. Standard models fit the most commonly used stage on the microscope model cited. However, microscopes are often fitted with optional or special purpose stages. Refer to the outline drawings to determine the correct adapter for your microscope. Modified or special size adapters can also be ordered. Material is plastic.



RC-13 with CB-2n Stage Adapter

## Specifications



## Ordering Information

Chamber	Adapter	For Microscope
RC-8	CB-10	Olympus IMT (older model)
RC-10	CB-10/2	Olympus IMT-2, IX & BX50WI
	CB-1N	Nikon Diaphot, TE200 & TE300
RC-11	CB-20	Olympus IMT (older model)
RC-13	CB-20/2	Olympus IMT-2, IX & BX50WI
RC-16	CB-2N	Nikon Diaphot, TE200 & TE300
	CB-2LZ	Zeiss Axiovert with 211 X 230 specimen stage